



Product designation	Automatic battery chargers
Product type designation	BCE
Type	Single phase automatic battery charger 1 charging level for lead-acid batteries

Power supply

Rated voltage Us	min	VAC	220
	Max	VAC	240 ±10%
<hr/>			
Operational frequency	min	Hz	50 ±5%
	max	Hz	60 ±5%
<hr/>			
Power consumption	Max	VA	117
	Max	W	24

Charging cycle

Reference standards	IEC60335-2-29
Battery type	lead-acid
Battery voltage	VDC 12
Charging voltage (Uc)	13.8
Charging current (Ic)	A 3
Charging current adjustment	% Ic 30 to 100

Protections	Battery output fuse; charging inhibition due to: 1. Short circuit at battery terminals; 2. Reverse battery polarity; 3. Low voltage at battery poles; 4. Output overload.
-------------	---

External fuse	1
---------------	---

Indications

LED indicator for operating status	Yes
LED reverse battery polarity	Yes

Alarm output circuit

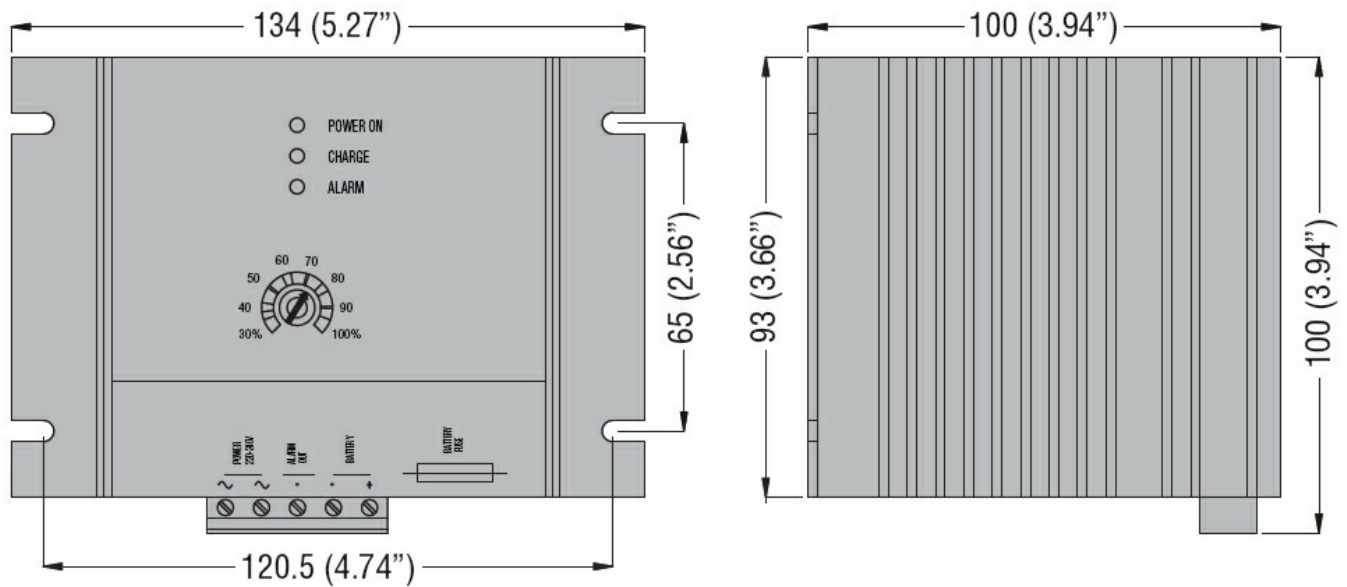
Output type	NPN transistor
-------------	----------------

Mechanical features

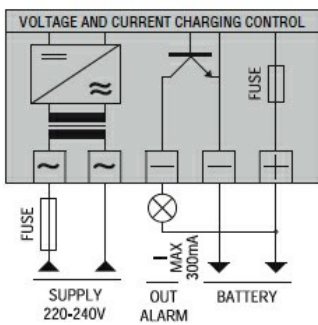
Housing type	Internal panel mounting
Terminals type	Removable/plug-in

Fixing	Screw fixing		
Weight	g	1984	
Ambient conditions			
Temperature	Operating temperature		
	min	°C	-10
	max	°C	+50
	Storage temperature		
	min	°C	-30
	max	°C	+80
Protection degree	IP00		

Dimensions



Wiring diagrams



Certifications and compliance

Compliance	IEC/EN 60335-2-29
Certificates	EAC

ETIM classification

ETIM 8.0	EC000359 - Universal charger
----------	---------------------------------